



INTELLIGENT FACILITY SOLUTIONS

Electric Works, 3 Concourse Way

Sheffield, S1 2BJ, United Kingdom

Phone UK: +44 (0) 114 354 0047

Phone Eire: +353 190 36387

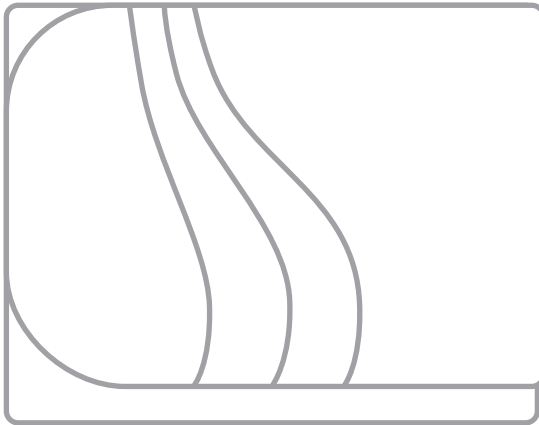
sales@ihdryers.co.uk

<https://www.intelligenthanddryers.com/>



Product Instruction Manual

Cyclone



HD1600

1.6 kW automatic hand dryer

Thank you for purchasing the Hyco Cyclone hand dryer.

The HD1600 is a traditional style hand dryer suitable for a wide number of applications including schools, offices, restaurants and shops. Please read and understand these instructions before commencing installation, and leave them with the user when installation is complete.

1. Important safety points



The Electrical installation must be carried out by a qualified electrician in accordance with the current edition of the I.E.E. Wiring Regulations.



This appliance must be earthed.



Means for electrical disconnection must be incorporated in the fixed wiring in accordance with the wiring rules.



Only connect the hand dryer to a single phase supply with a mains voltage as specified on the rating plate.



The hand dryer must be fixed out of reach of a person taking a bath or shower.



This appliance can be used by children aged from 8 years and above and persons with reduced physical, sensory or mental capabilities or lack of experience and knowledge if they have been given supervision or instruction concerning use of the appliance in a safe way and understand the hazards involved. Children shall not play with the appliance. Cleaning and user maintenance shall not be made by children without supervision.



Do not cover the air inlet or outlet.

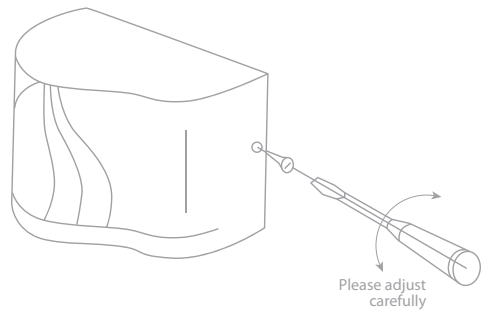
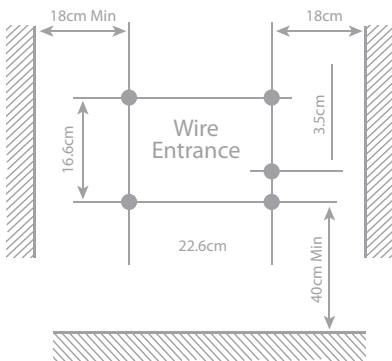
2. Installation

Wall Mounting



The hand dryer must be fixed out of reach of a person taking a bath or shower.

- Remove screws from the side of the cover as per Fig 1. Detach the earth wire from the base carefully
- Drill 4 holes of 8mm diameter following Fig 2 below (note that the entry for the power cord is located at the right hand side, 3.5cm above the bottom right mounting hole)
- The unit must be mounted at least 40cm above any surface and a minimum space of 18cm between the sides of the unit and any other surface



Electrical

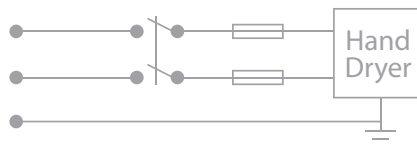


This appliance must be earthed - ensure earth wire is reattached when replacing the cover.



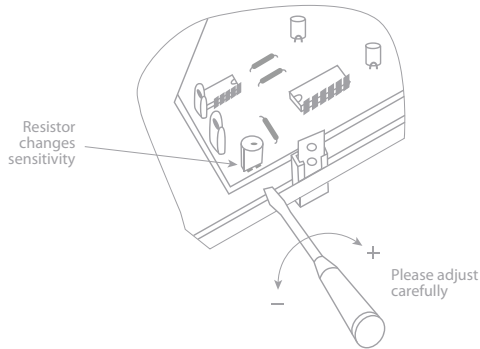
Means for electrical disconnection must be incorporated in the fixed wiring in accordance with the wiring rules.

- The power cord should be connected following the colour coding below:
 - Brown: L
 - Blue: N
 - Green / Yellow: E



3. Operation

- Shake excess water from hands
- To activate the hand dryer, place your hands underneath the air outlet to operate the sensor
- Rub hands together lightly and rapidly
- The dryer will stop automatically 1 second after removing hands
- The dryer will also automatically cut-out after 1 minute of consecutive use
- To re-start the hand dryer, put hands back underneath and re-operate the sensor
- The sensitivity of the sensor can be adjusted by removing the cover and accessing the Printed Circuit Board

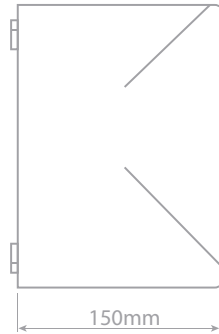
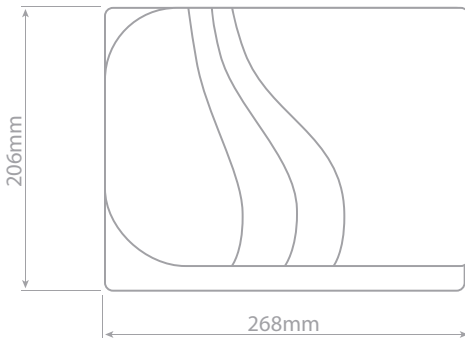


4. Maintenance

- Clean the exterior of the unit using a soft, damp cloth.

5. Specifications

Voltage	230v~50Hz
Power	1.6kW
Air speed	12m/s
Air volume	181m ³ /h
Sound level	73dB
IP Rating	IPX1
Weight	3.5kg



6. Guarantee and service policy

This product is guaranteed against faulty materials and manufacture for a period of one year from the date of purchase. Hyco will in its sole discretion replace, repair or refund any faulty unit. Incorrect installation, frost damage and the consequences of limescale deposits are excluded. Consequential costs such as labour charges or damage to fittings and surroundings are expressly excluded.



INFORMATION FOR CORRECT DISPOSAL OF THE PRODUCT IN ACCORDANCE WITH THE EUROPEAN DIRECTIVE 2002/96/E.

At the end of its working life this equipment must not be disposed of as household waste. It must be taken to a local authority waste collection centre or to a dealer providing this service. Disposing of electrical and electronic equipment separately enables its components to be recovered and recycled to obtain significant savings in energy and resources. In order to underline the duty to dispose of this equipment separately, the product is marked with a crossed out dustbin.

