



IFS Ltd t/a Intelligent Hand Dryers UK

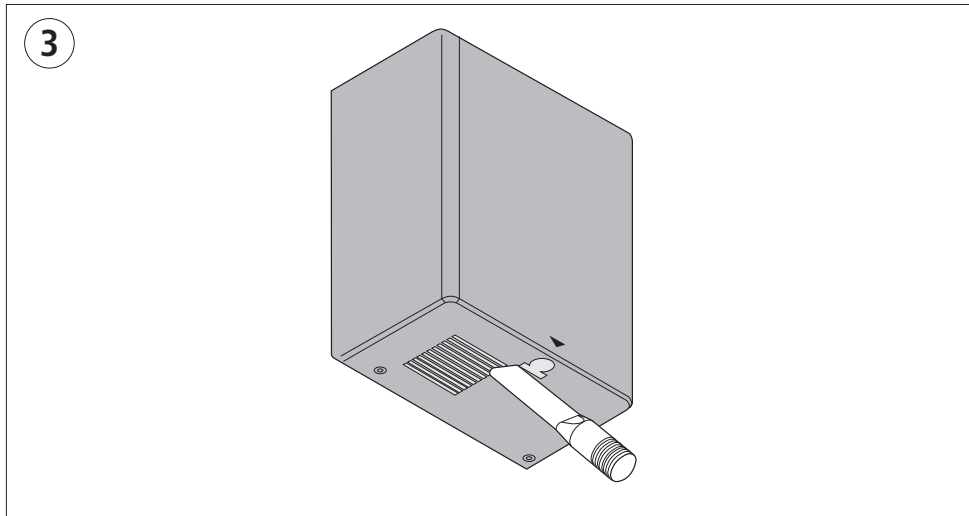
[www.intelligenthanddryers.com](http://www.intelligenthanddryers.com)

0114 354 0047



## IMPORTANT

After installation or servicing, units must be checked, and only left when electrically and mechanically safe.



approximately 5mm gap.

4. Locate dryer assembly back plate over screw heads through key hole apertures. Pull down against surface and fully tighten screws
5. Connect the wiring to the unit as outlined in the **Wiring Instructions** (Page 2).
6. Locate cover on back plate and locate and tighten screws from underneath (Illustration 2).

## Servicing instructions

The minimum service period for the dryer should be every 3 months or more frequent intervals as experience dictates:

1. Isolate the Hand Dryer from the electricity supply before servicing.
2. Remove dust, fluff and any other build up of foreign matter from inlet and outlet grille areas (Illustration 3).

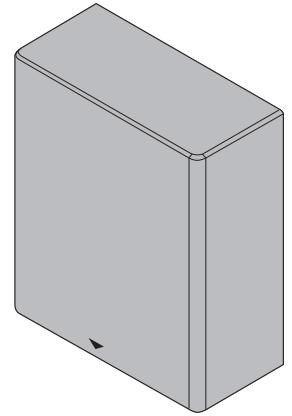


## IMPORTANT

Read these instructions before commencing with the installation.

DO NOT install this product in areas where the following may be present or occur:

- Corrosive or flammable gases, liquids or vapours.
- Ambient temperatures higher than 40°C or less than -5°C.
- Possible obstructions which would hinder the access or removal of the hand dryer.



## Safety and guidance notes

- A. All wiring to be in accordance with the current I.E.E. Regulations, or the appropriate standards of your country and MUST be installed by a suitably qualified person.
- B. The Hand Dryer should be provided with a local isolator switch capable of disconnecting all poles, having a contact separation of at least 3mm.
- C. Ensure that mains supply (Voltage, Frequency, and Phase) complies with the rating label.
- D. The Hand Dryer should only be used in conjunction with fixed wiring.
- E. The Hand Dryer should not be used where it is liable to be subject to direct water spray for prolonged periods of time.
- F. This appliance can be used by children aged 8 and above and

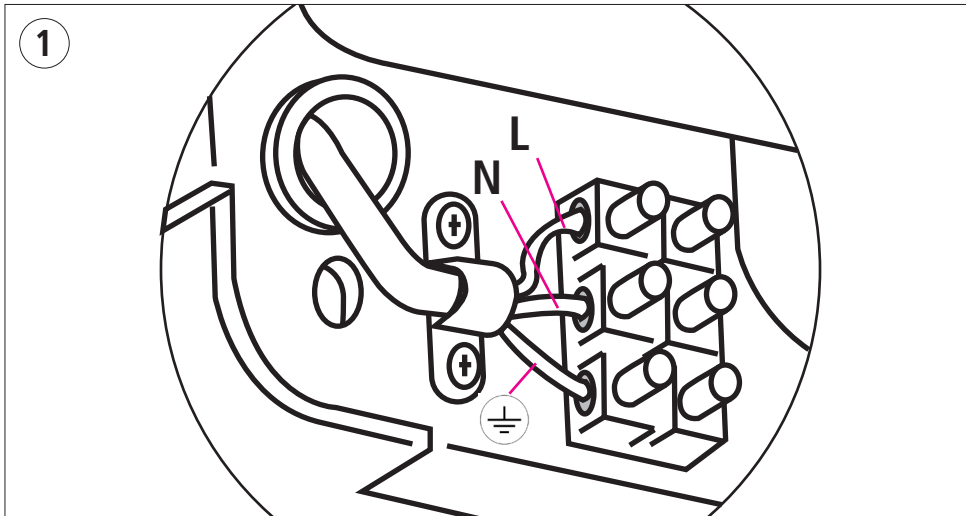
persons with reduced physical, sensory or mental capabilities or lack of experience and knowledge if they have been given supervision or instruction concerning use of the appliance in a safe way and understand the hazards involved. Children should be supervised to ensure that they do not play with the appliance. Cleaning and user maintenance shall not be made by children without supervision.

- H. Stationary appliances not fitted with means for disconnection from the supply mains having a contact separation in all poles that provide full disconnection under over voltage category III, the instructions state that means for disconnection must be incorporated in the fixed wiring in accordance with the wiring rules.



## WARNING

The hand dryer MUST be isolated from the power supply during installation or maintenance.



### Wiring instructions

Always ensure that the installation conforms to the current edition of the I.E.E. wiring regulations, BS 7671 (UK) or the appropriate standards in your country. Ensure that the unit is separately fused with a suitably rated fuse and that it is connected to the supply with a double pole isolating switch having a contact separation of at least 3mm. Care should be taken that single insulated conductors cannot come into contact with the mounting surface.

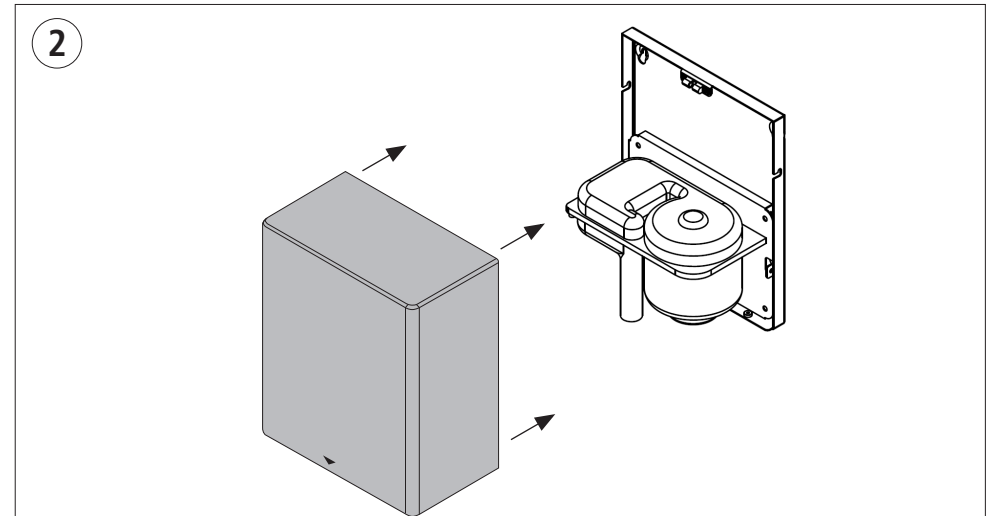
Please connect the terminal block (see illustration 1) as follows:

1. Connect the live wire (coloured red or brown) to the terminal marked 'L'.
2. Connect the neutral wire (coloured black or blue) to the terminal marked 'N'.
3. Connect the earth wire (coloured green and yellow) to the terminal marked '⊕'.



## IMPORTANT

After installation or servicing, units must be checked, and only left when electrically and mechanically safe.



### Mounting instructions

The Hand Dryer must be fixed to a solid supporting wall. The recommended distance from finished floor level to the bottom of the unit should be as follows:-

- Male washrooms 1168mm
- Female washrooms 1118mm
- Disabled washrooms 1016mm
- Children aged 14-17 1118mm
- Children aged 11-13 1016mm
- Children aged 8-10 914mm
- Children aged 4-7 672mm

To ensure ease of installation and subsequent maintenance, the horizontal distance to any adjacent wall should not be less than 0.2 metres.

To install follow the steps below:

1. Drill 7mm $\varnothing$  x 50mm deep four places using template supplied to mark up position (For fitting to masonry).
2. Insert nylon plugs.
3. Screw in screws leaving